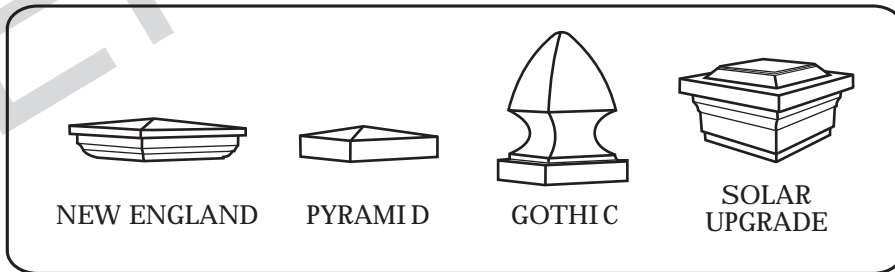
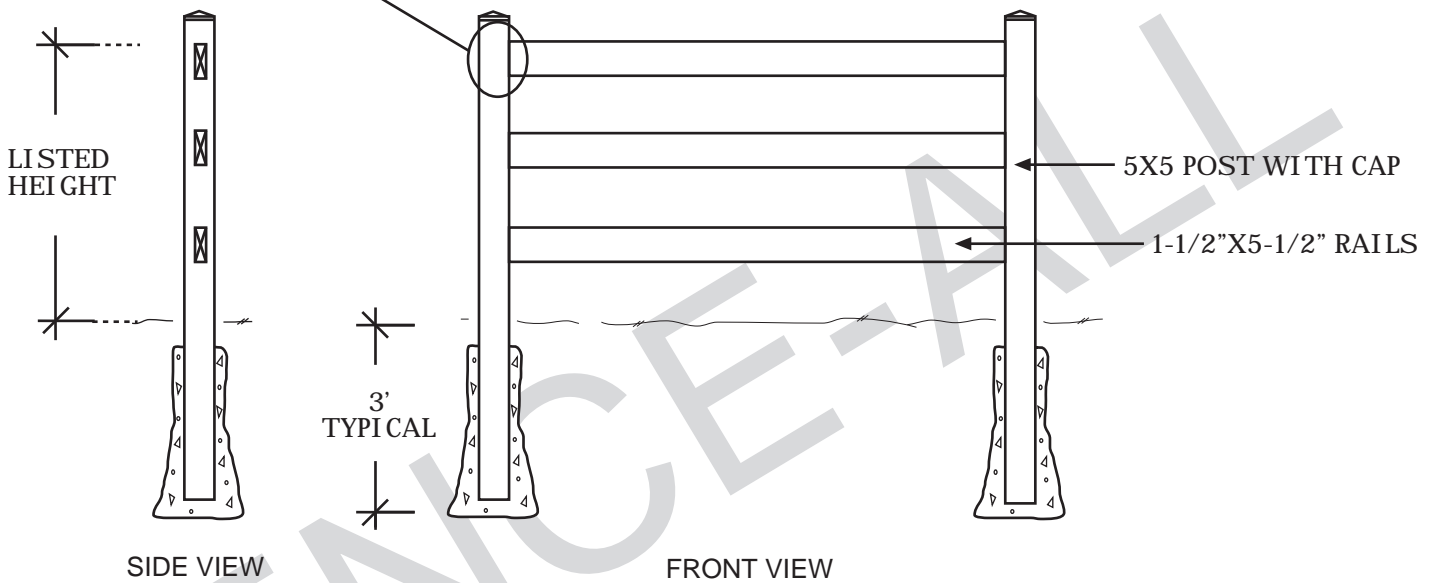
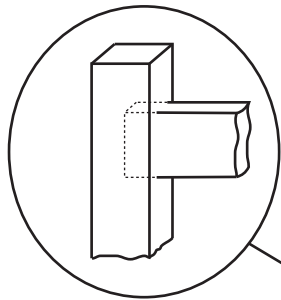
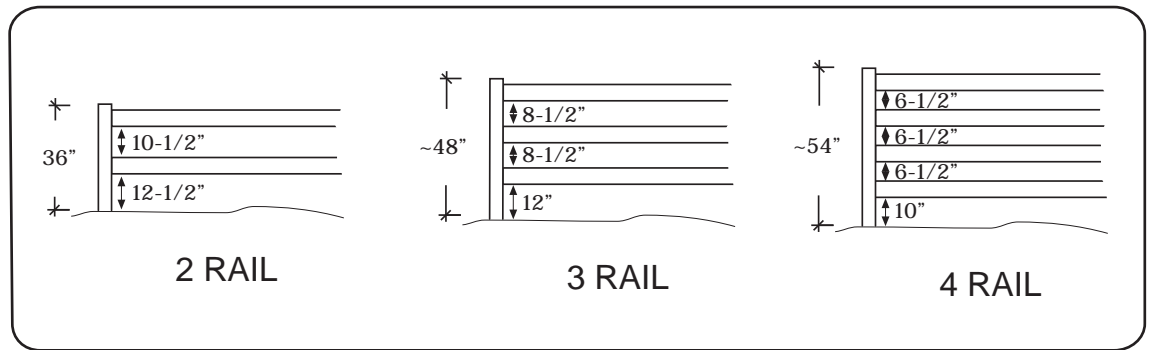


Winchester Vinyl/PVC

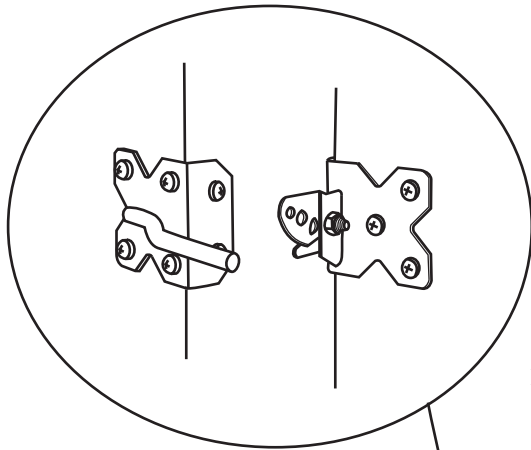


CHOICE OF CAP

NOTES:

- all dimensions are nominal
- we reserve the right to make changes or improvements to our designs without notice

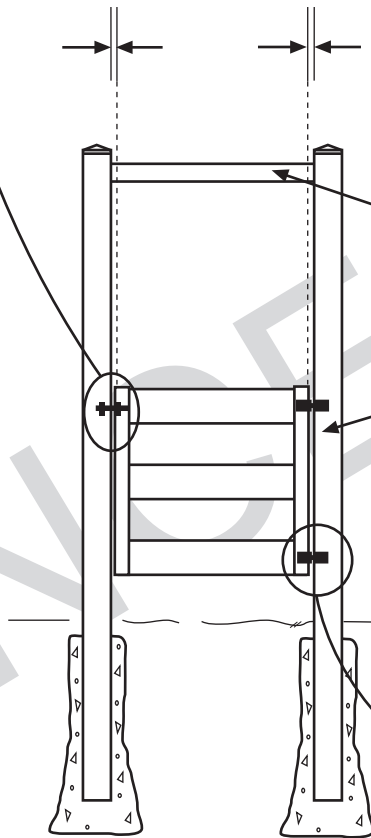
Winchester Vinyl/PVC Gate



FINGER AND CATCH

TYPICALLY
1-1/2" SPACE
ON LATCH
SIDE

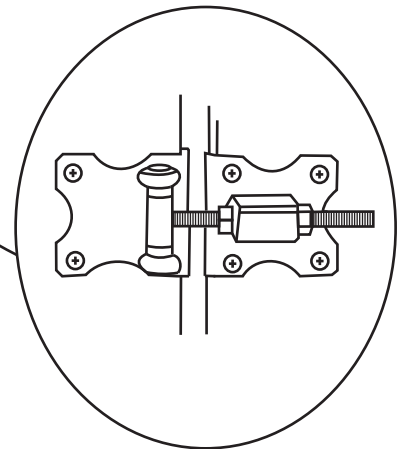
TYPICALLY
1/2" SPACE
ON HINGE
SIDE



OPTIONAL 2X4 GATE
BRACE TYPICALLY
INSTALLED @7'H

5X5 POST
TYPICAL

BACK VIEW



HINGES ADJUST TO
SET GATE ALIGNMENT

NOTES:

- all dimensions are nominal
- we reserve the right to make changes or improvements to our designs without notice