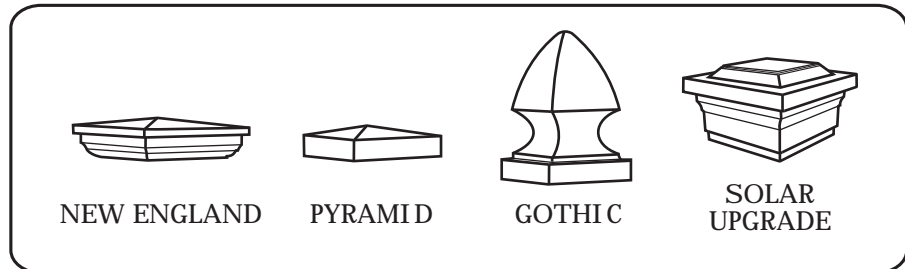
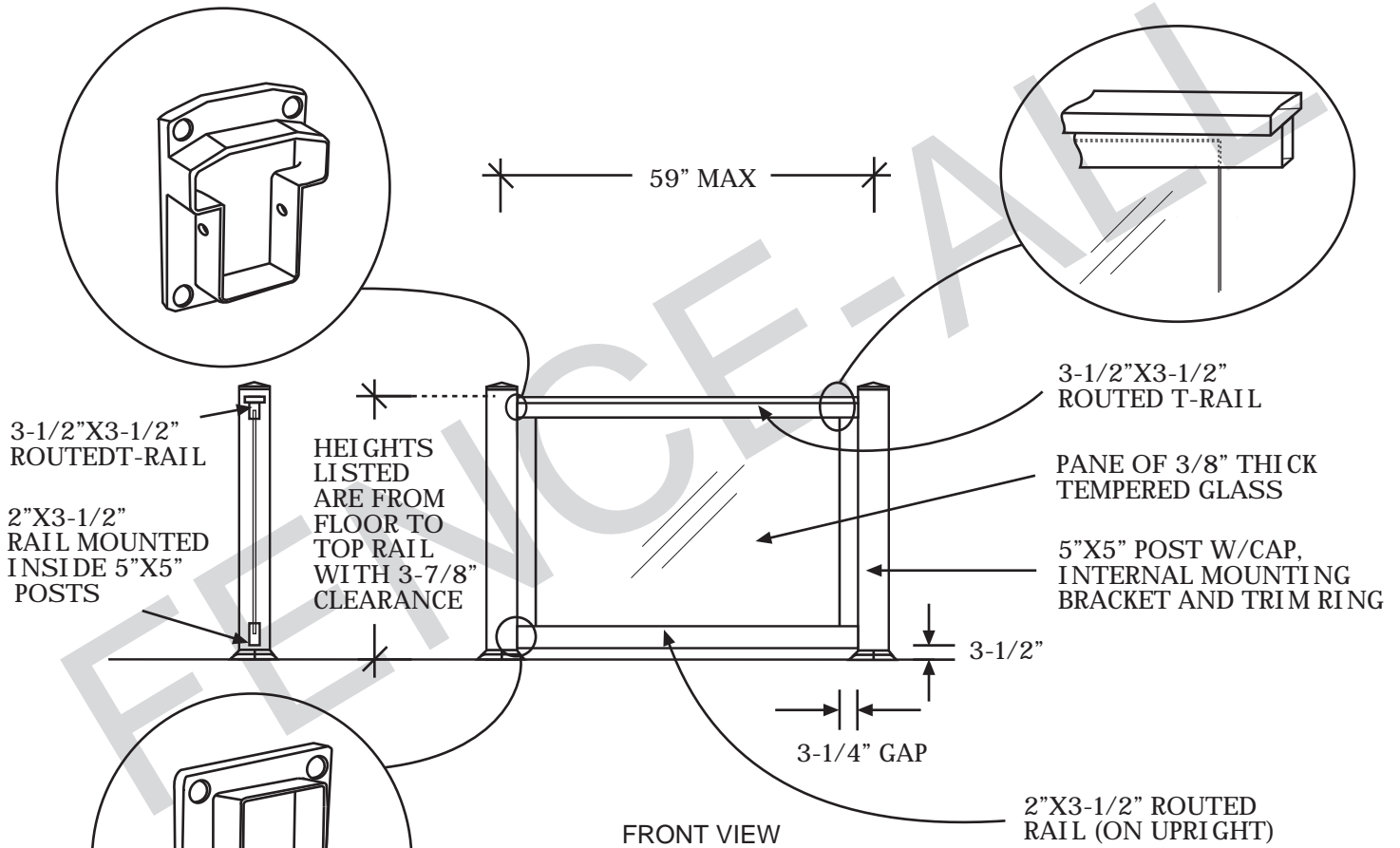


# Glass/Vinyl Railing

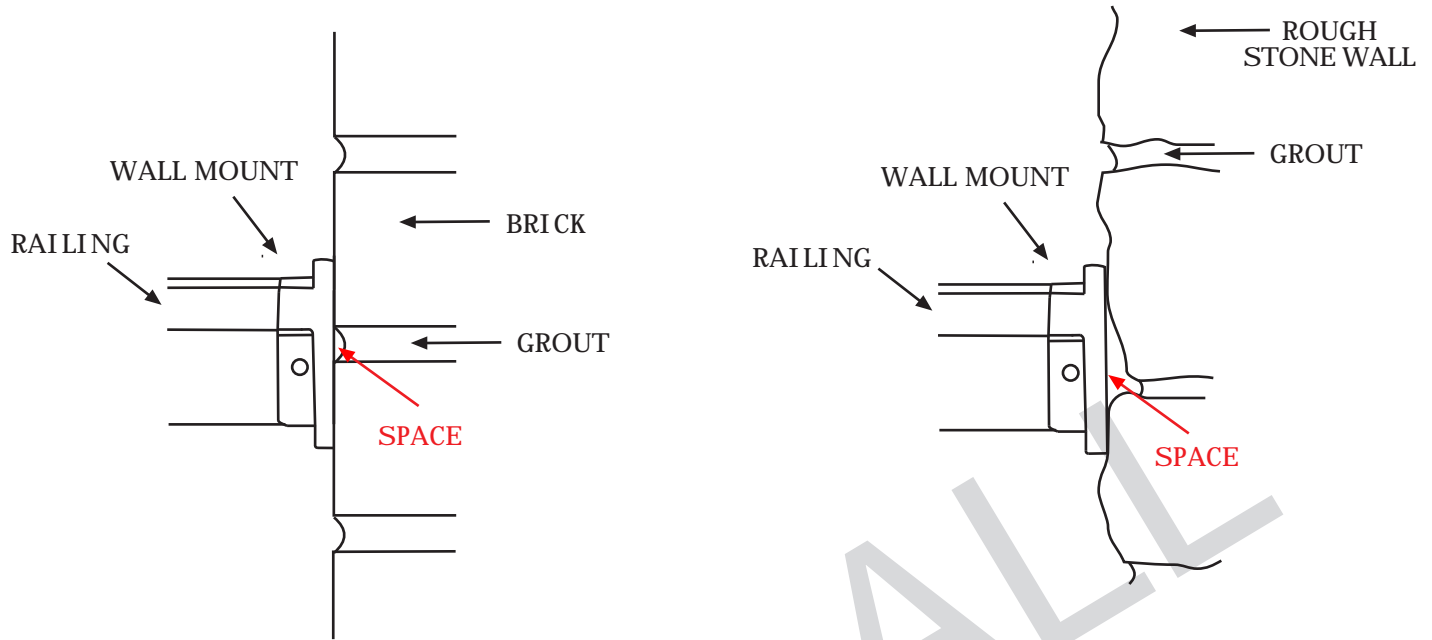


CHOICE OF CAP

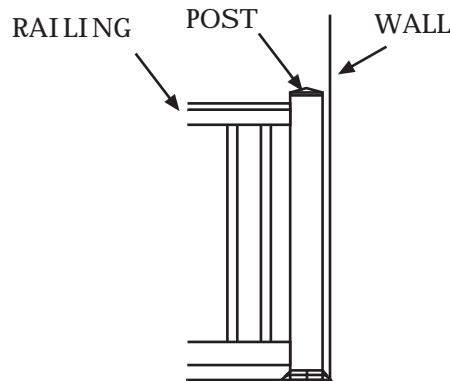
**NOTES:**

- All dimensions are nominal.
- Clearance below the fence isn't included in height calculations.
- We reserve the right to make changes or improvements to our designs without notice.

# Notes on Wall Mounts



- When railings attach to walls with a wall mount a flush connection is not always possible (i.e. there can be spaces as shown above).
- The connection is structurally fine and the railing is secure despite the spaces. But for those who don't like the look, we suggest a post beside the wall instead of the wall mount bracket. See below:



## NOTES:

- All dimensions are nominal.
- Clearance below the fence isn't included in height calculations.
- We reserve the right to make changes or improvements to our designs without notice.