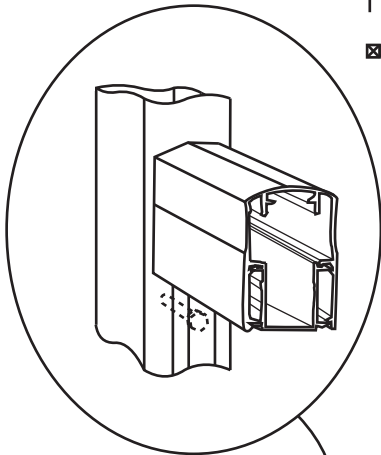
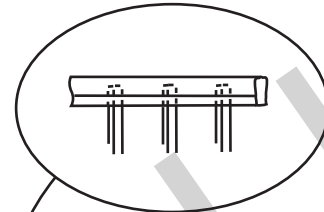


Classic Aluminum Railing

TOP VIEW (W/O HAND RAIL)



HAND RAIL DETAIL



PICKET DETAIL

1-1/2" X 2-5/8" HANDRAIL

2X2 POST
W/PYRAMID
CAP

ACTUAL HEIGHTS
ARE AS LISTED
FROM FLOOR TO
TOP RAIL WITH
3-7/8" CLEARANCE

3/4" X 3/4" PICKET

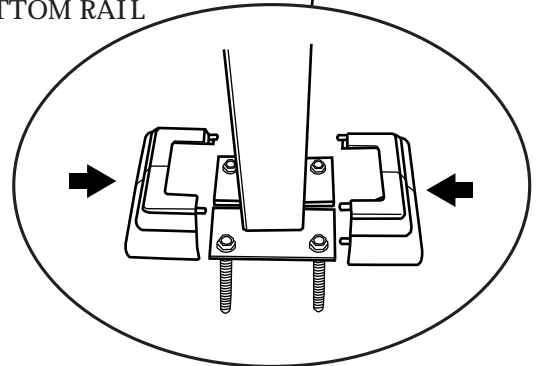
3-7/8"

3-7/8"

1-1/4" X 1-1/4" BOTTOM RAIL

SIDE VIEW

FRONT VIEW

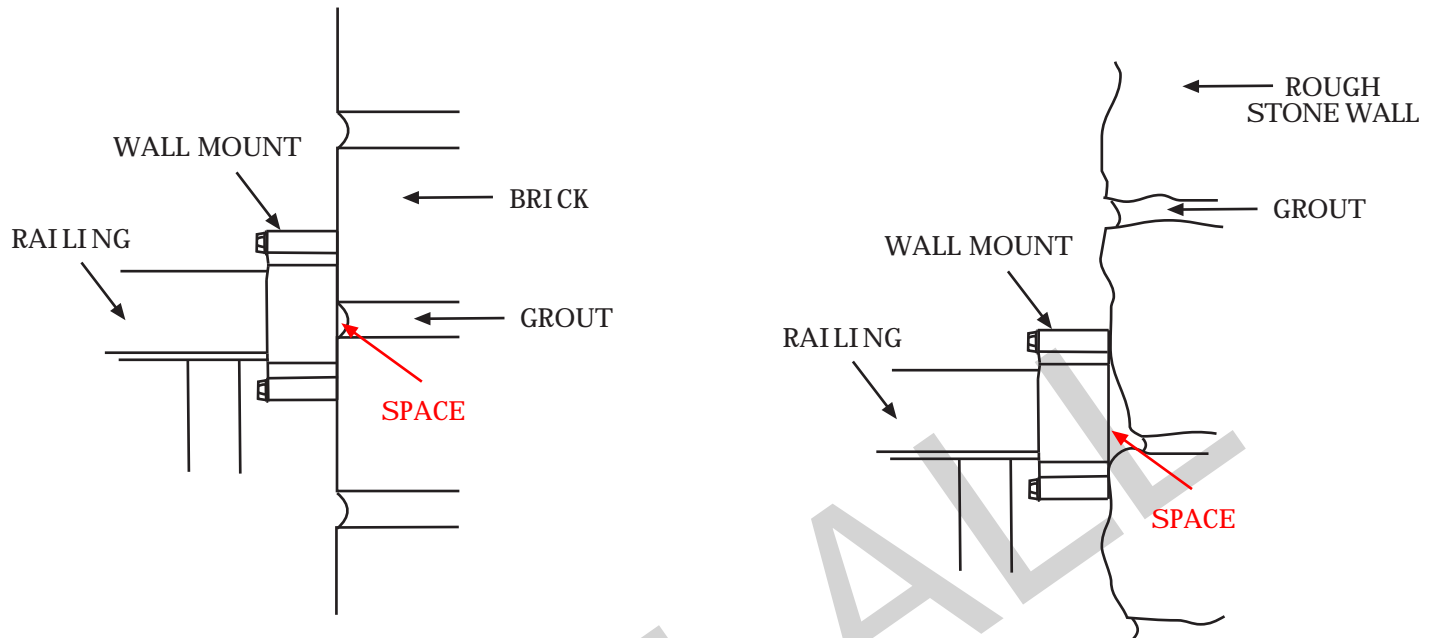


BASE ASSEMBLY DETAIL

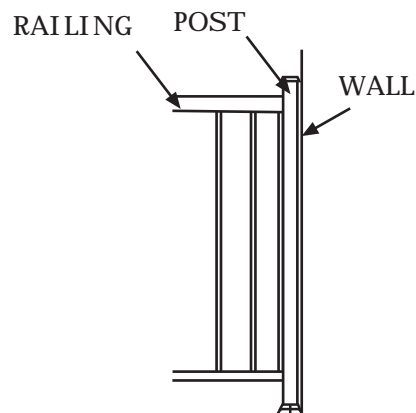
NOTES:

- all dimensions are nominal
- we reserve the right to make changes or improvements to our designs without notice

Notes on Wall Mounts



- When railings attach to walls with a wall mount a flush connection is not always possible (i.e. there can be spaces as shown above).
- The connection is structurally fine and the railing is secure despite the spaces. But for those who don't like the look, we suggest a post beside the wall instead of the wall mount bracket. See below:



NOTES:

- all dimensions are nominal
- we reserve the right to make changes or improvements to our designs without notice