

Forest Hill on PostMasters

TOP VIEW (W/O TOP CAP)



1X4
TOP
CAP

1X4 FACEBOARD
(FRONT SIDE)

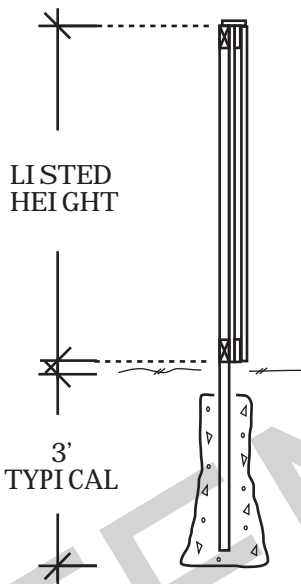
1X6 ABOARDS SPACED
UP TO 5/8" APART
ONCE WOOD DRIES
(STANDARD PATTERN
SHOWN)

1X6 POST COVER
(FRONT SIDE)

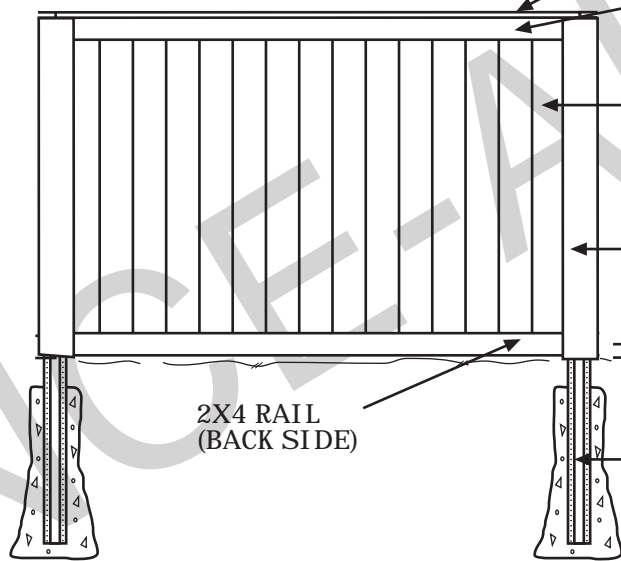
1" to 4"

2X4 RAIL
(BACK SIDE)

STEEL POST



SIDE VIEW



FRONT VIEW

NOTES:

- All dimensions are nominal.
- Clearance below the fence isn't included in height calculations.
- We reserve the right to make changes or improvements to our designs without notice.