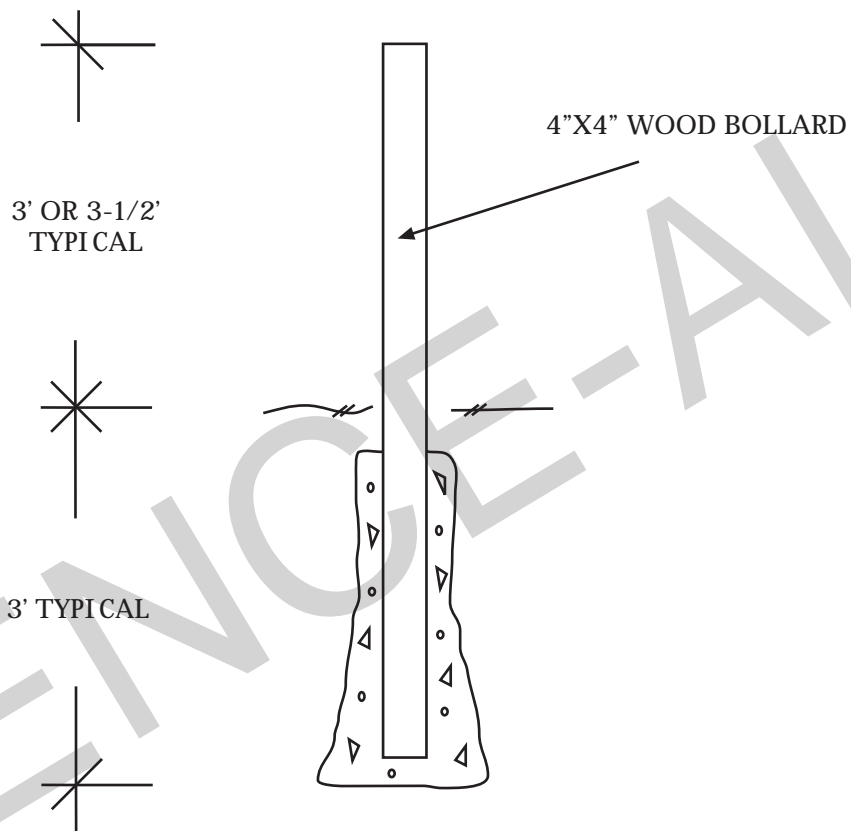


Wood Bollard



NOTES:

- all dimensions are nominal
- we reserve the right to make changes or improvements to our designs without notice